



SYSTECH J.Schnyder GmbH

www.systemech-gmbh.ch

UMDS

BUS7x4E

Beschrieb V 1.0

BUS-Print mit 7 Steckplätzen und einfacher Speisung
BUS Print with 7 Slots and simple power regulators

Inhalt

Shortform	2
Beschreibung / Description / Descrizione	3
Steckerbelegung / Pinout / Connessioni	3
+3.3VBUS	3
+5VBUS	3
+5VIN	3
+5VOUT	3
PWRIN	3
X1, X2, X3, X4, X5, X6, X7, XE Modulstecker	4
Stückliste / Bill of Material / Distinta Componenti	5
Anhang:	7
- Schemas	7
- Bestückungspläne	7

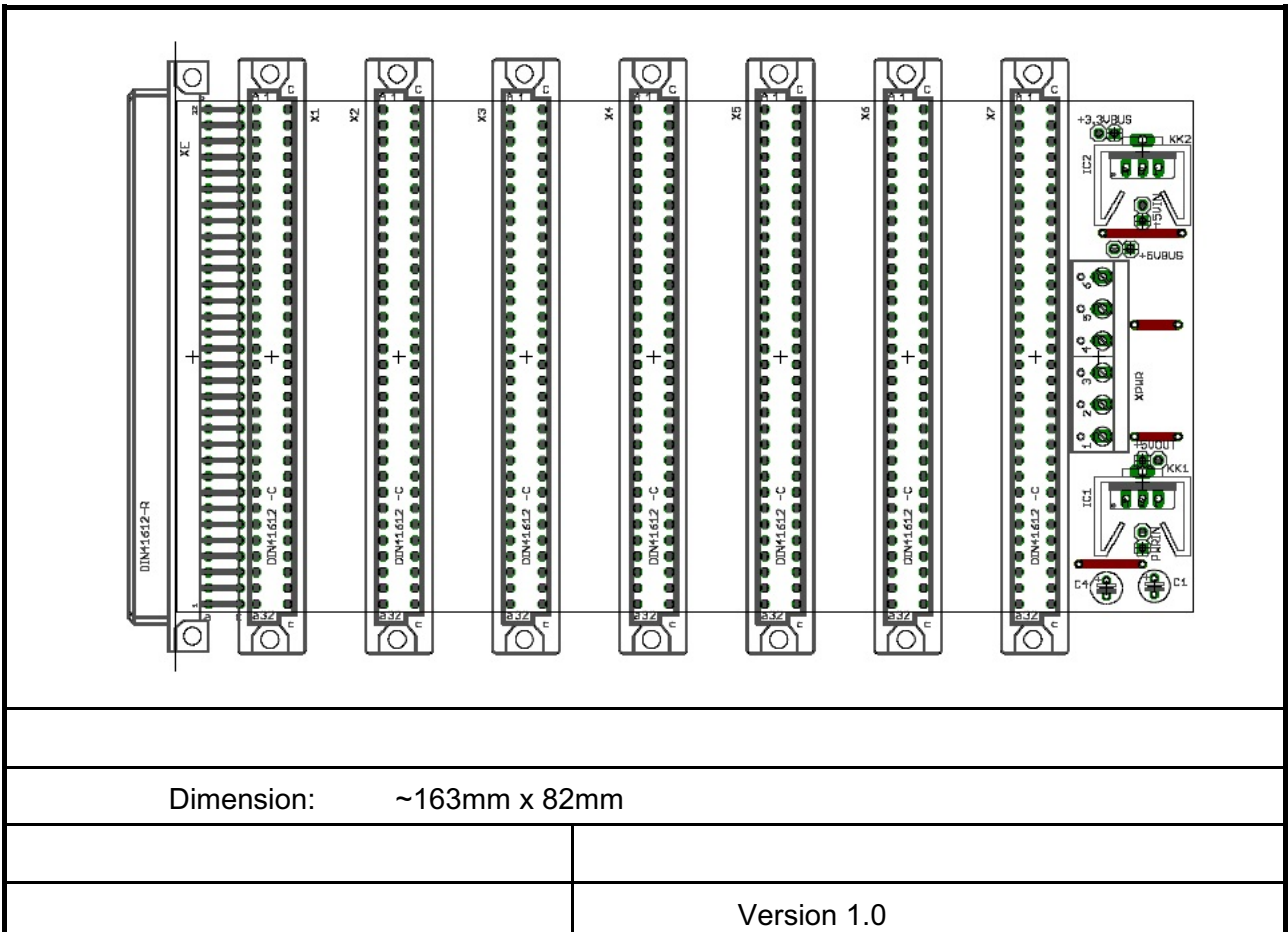
Shortform



SYSTECH
J.Schnyder GmbH

www.systemech-gmbh.ch

UMDS-BUS7x4E



Beschreibung / Description / Descrizione

Steckerbelegung / Pinout / Conessioni

+3.3VBUS

1	IC2-OUT
2	+3.3V-BUS

+5VBUS

1	+5V-DIST
2	+5V-BUS

+5VIN

1	+5V-DIST
2	IC2-IN

+5VOUT

1	+5VOUT
2	+5V-DIST

PWRIN

1	PWR
2	IC1-IN

X1, X2, X3, X4, X5, X6, X7, XE Modulstecker

1A	+5V	1C	+5V
2A	+5V	2C	+5V
3A	+3,3V	3C	+3,3V
4A	+3,3V	4C	+3,3V
5A	PA0/GP0	5C	PA1/GP1
6A	PA2/GP2	6C	PA3/GP3
7A	PA4/GP4	7C	PA5/GP5
8A	PA6/GP6	8C	PA7/GP7
9A	PB0/GP8	9C	PB1/GP9
10A	PB2/GP10	10C	PB3/GP11
11A	PB4/GP12	11C	PB5/GP13
12A	PB6/GP14	12C	PB7/GP15
13A	PC0/GP16	13C	PC1/GP17
14A	PC2/GP18	14C	PC3/GP19
15A	PC4/GP20	15C	PC5/GP21
16A	PC6/GP22	16C	PC7/GP23
17A	PD0/GP24	17C	PD1/GP25
18A	PD2/GP26	18C	PD3/GP27
19A	PD4/GP28	19C	PD5/GP29
20A	PD6/GP30	20C	PD7/GP31
21A	PE0/GP32	21C	PE1/GP33
22A	PE2/GP34	22C	PE3/GP35
23A	PE4/GP36	23C	PE5/GP37
24A	PE6/GP38	24C	PE7/GP39
25A	IRQ	25C	/RESET
26A	PWR	26C	PWR
27A	PWR	27C	PWR
28A	PWR	28C	PWR
29A	GND	29C	GND
30A	GND	30C	GND
31A	GND	31C	GND
32A	GND	32C	GND

Stückliste / Bill of Material / Distinta Componenti

Part	Value	Device	Package	Description
+3.3VBUS	CON02X1	CON02X1	1X02	Jumper 2pol.
+5VBUS	CON02X1	CON02X1	1X02	Jumper 2pol.
+5VIN	CON02X1	CON02X1	1X02	Jumper 2pol.
+5VOUT	CON02X1	CON02X1	1X02	Jumper 2pol.
C1	47U/50V	E-2.5	E-2,5L	
C2	10U	C-1206	1206	
C3	10U	C-1206	1206	
C4	100U/10V	E-2.5	E-2,5L	
C5	10U	C-1206	1206	
C6	10U	C-1206	1206	
IC1	+5V	LM317-5V	317TS	Spannungsregler
IC2	+3.3V	LM1117-3.3V	317TS	Spannungsregler
KK1	SK237SA220V	SK237SA220V	FK237SAV	Kühlkörper
KK2	SK237SA220V	SK237SA220V	FK237SAV	Kühlkörper
PWRIN	CON02X1	CON02X1	1X02	Jumper 2pol.
X1		FAC64SE	FAC64S	64pol. Female
X2		FAC64SE	FAC64S	64pol. Female
X3		FAC64SE	FAC64S	64pol. Female
X4		FAC64SE	FAC64S	64pol. Female
X5		FAC64SE	FAC64S	64pol. Female
X6		FAC64SE	FAC64S	64pol. Female
X7		FAC64SE	FAC64S	64pol. Female
XPWR		W237-06P	W237-6P	Klemme 6pol.
XE	FAC64W	FAC64W	FAC64R	Stecker female, 64 pins, type R, rows AC, grid 5.08 mm
Print	V 1.0	BUS7x4E		

Links / Colegamenti

Systech J.Schnyder GmbH

www.systech-gmbh.ch

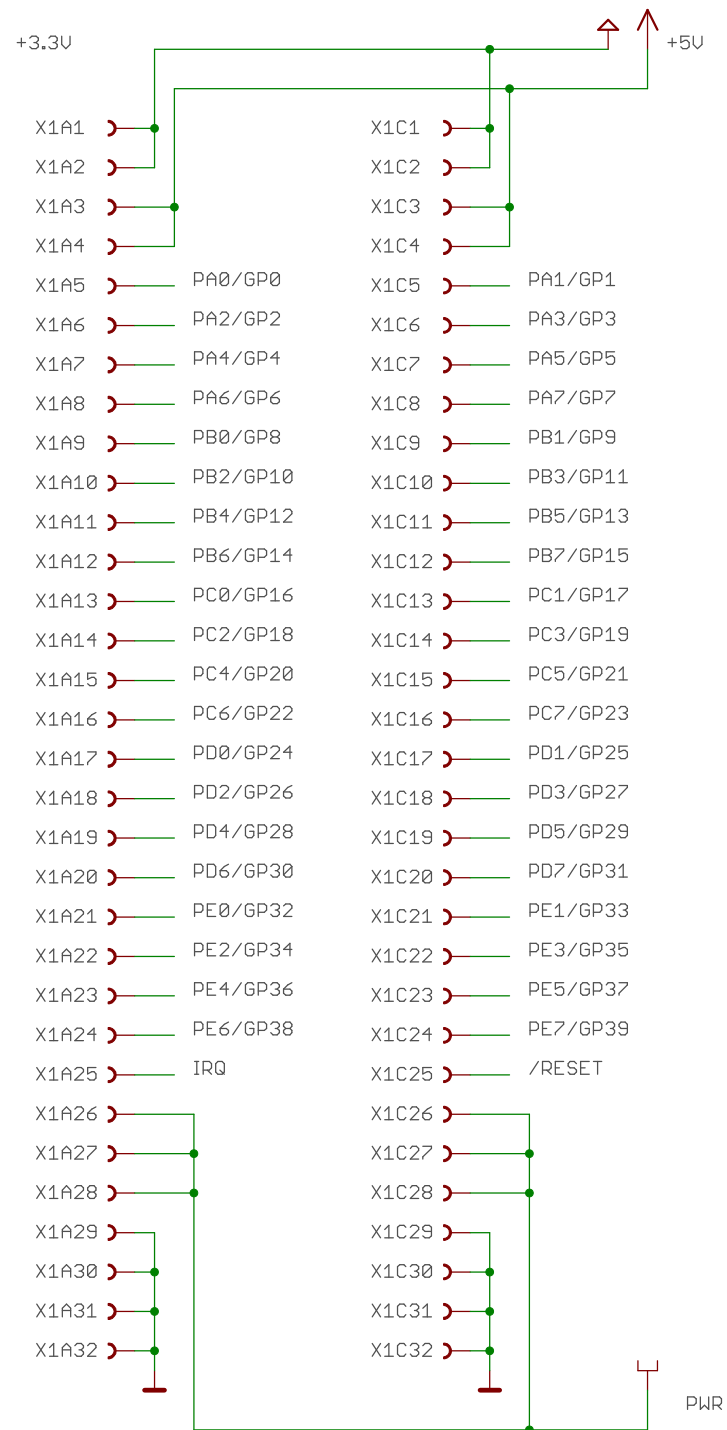
Entwicklung von Hard- und Software

Schulungs-Systeme

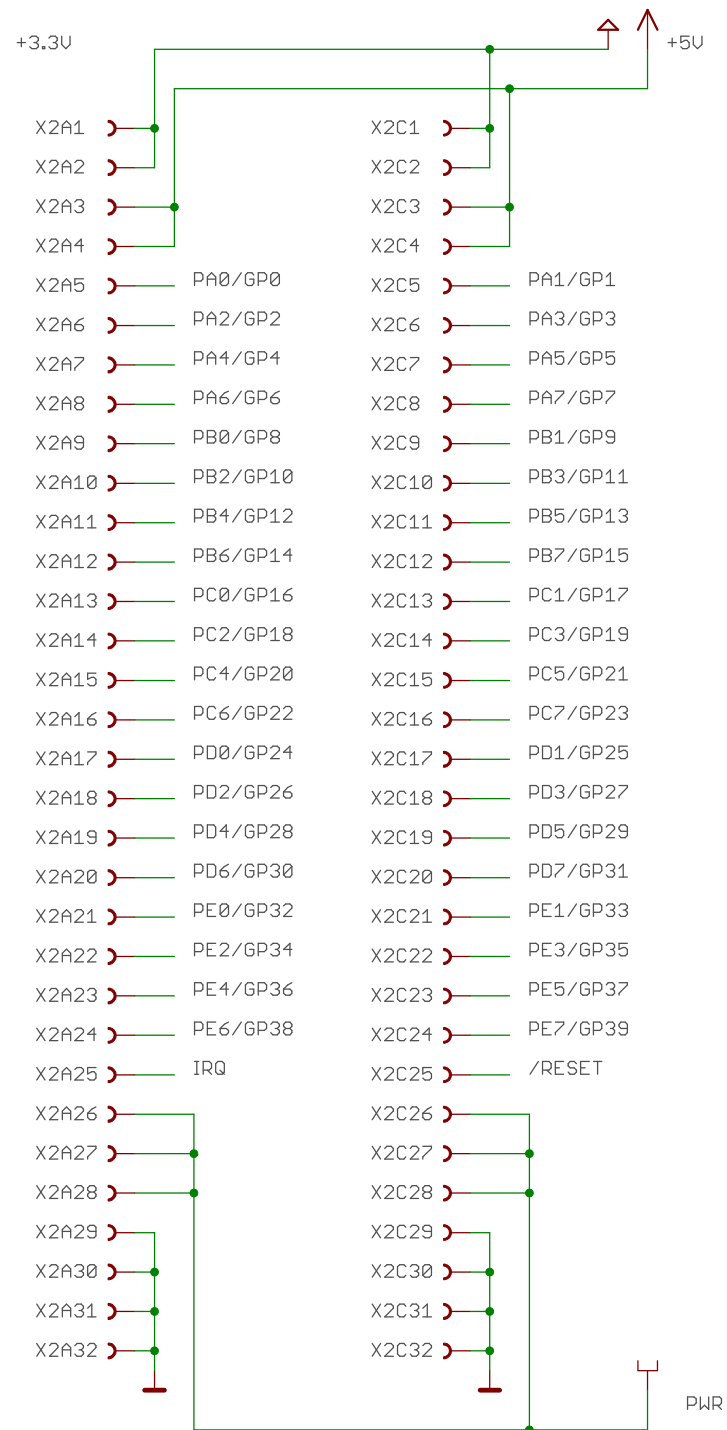
Kurse für Maker

Anhang:

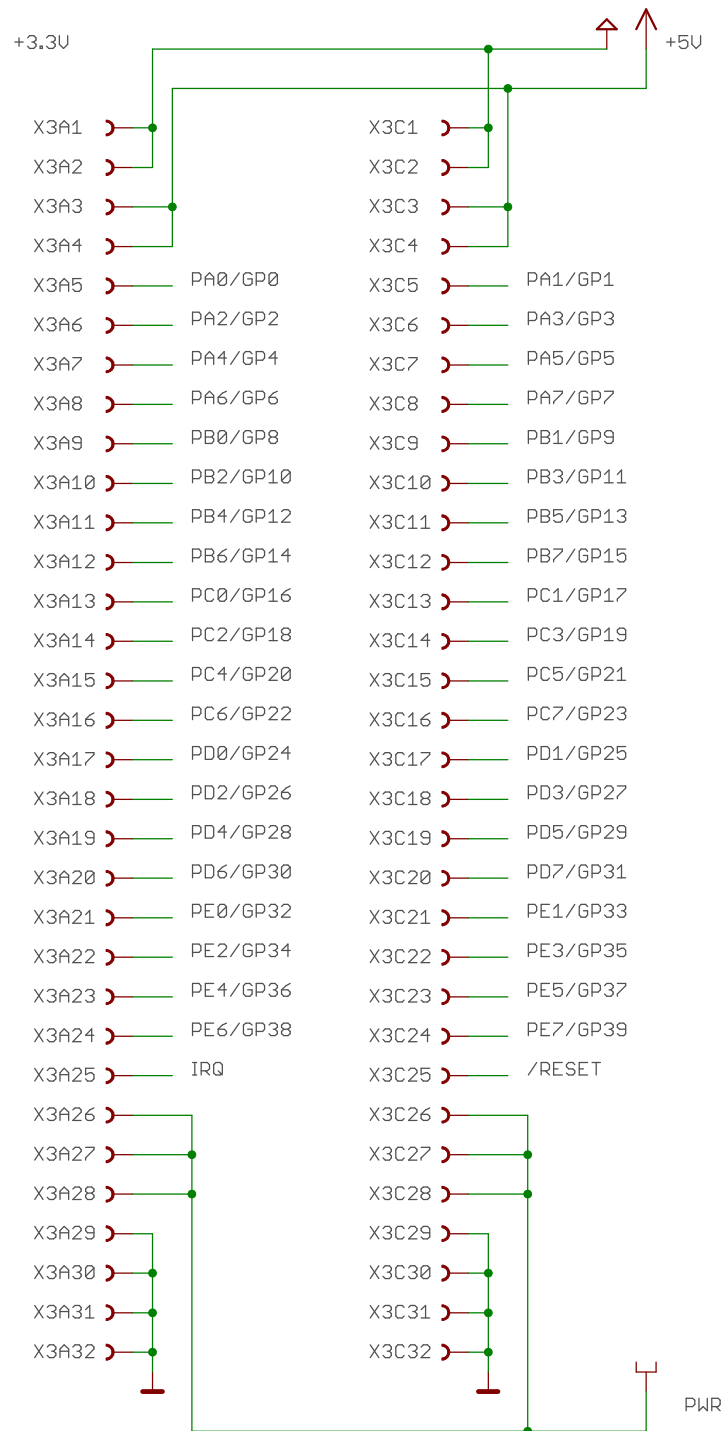
- Schemas
- Bestückungspläne
- Layouts



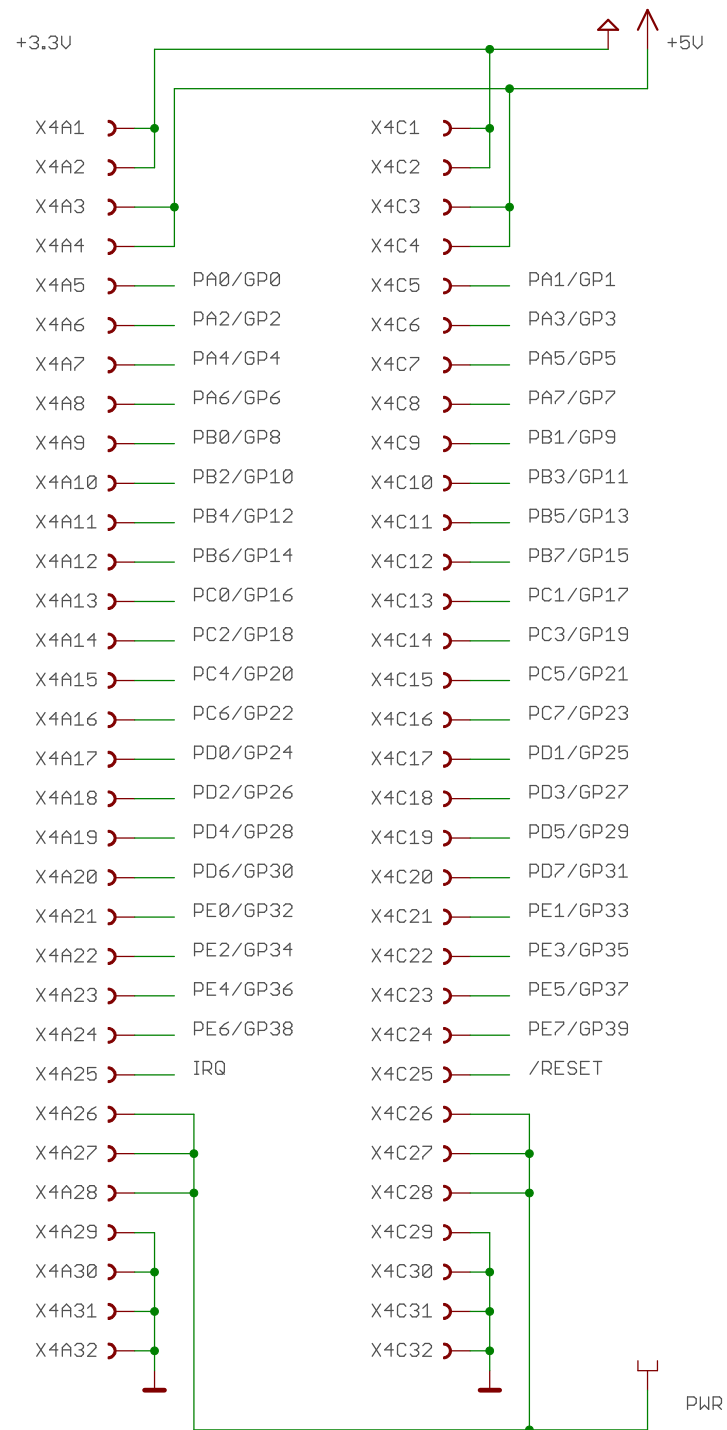
SYSTECH J.Schnyder GmbH		www.systech-gmbh.ch	
TITLE: BUS7x4E			
Document Number:			REV:
Date: 25.07.2021 14:49			Sheet: 1/9



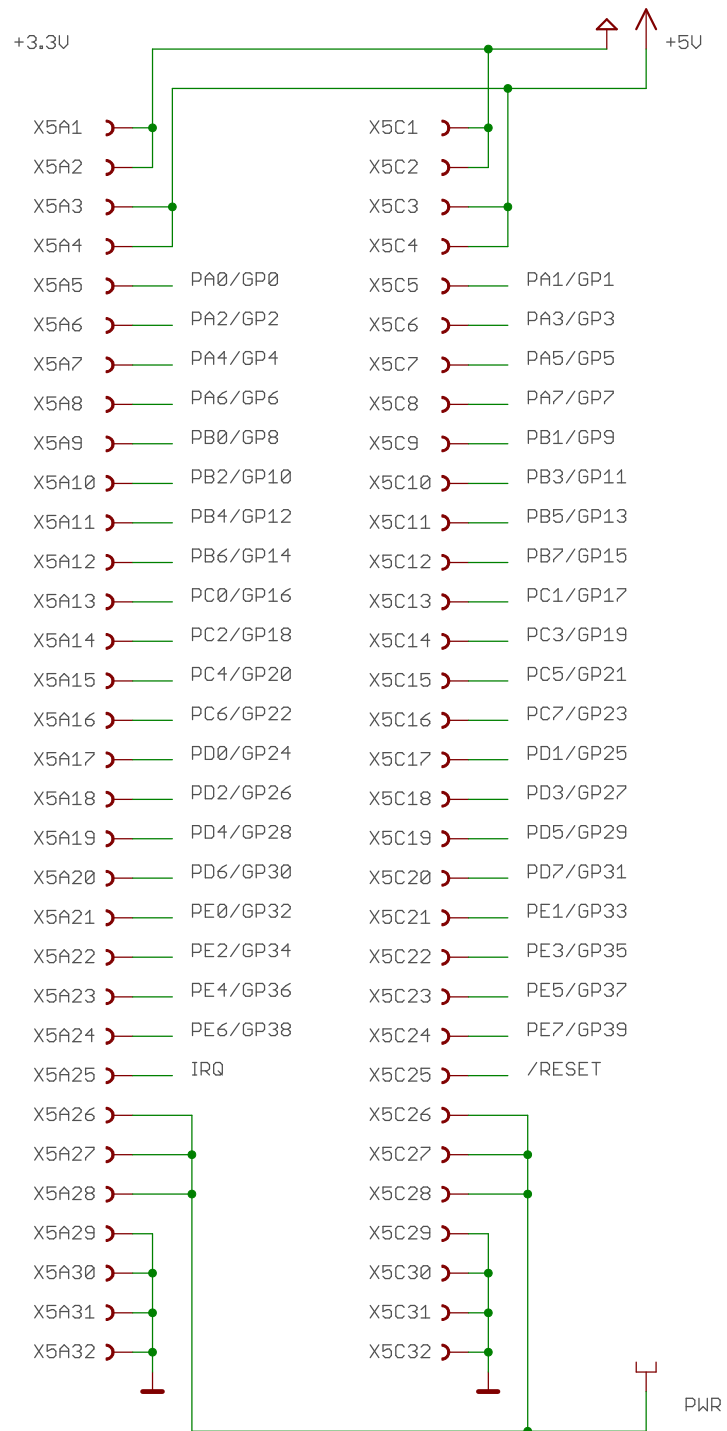
SYSTECH J.Schnyder GmbH		www.systech-gmbh.ch	
TITLE: BUS7x4E			
Document Number:			REU:
Date: 25.07.2021 14:49			Sheet: 2/9



SYSTECH J.Schnyder GmbH		www.systech-gmbh.ch	
TITLE: BUS7x4E			
Document Number:			REV:
Date: 25.07.2021 14:49			Sheet: 3/9



SYSTECH J.Schnyder GmbH		www.systech-gmbh.ch	
TITLE: BUS7x4E			
Document Number:			REV:
Date: 25.07.2021 14:49			Sheet: 4/9



SYSTECH J.Schnyder GmbH www.systech-gmbh.ch

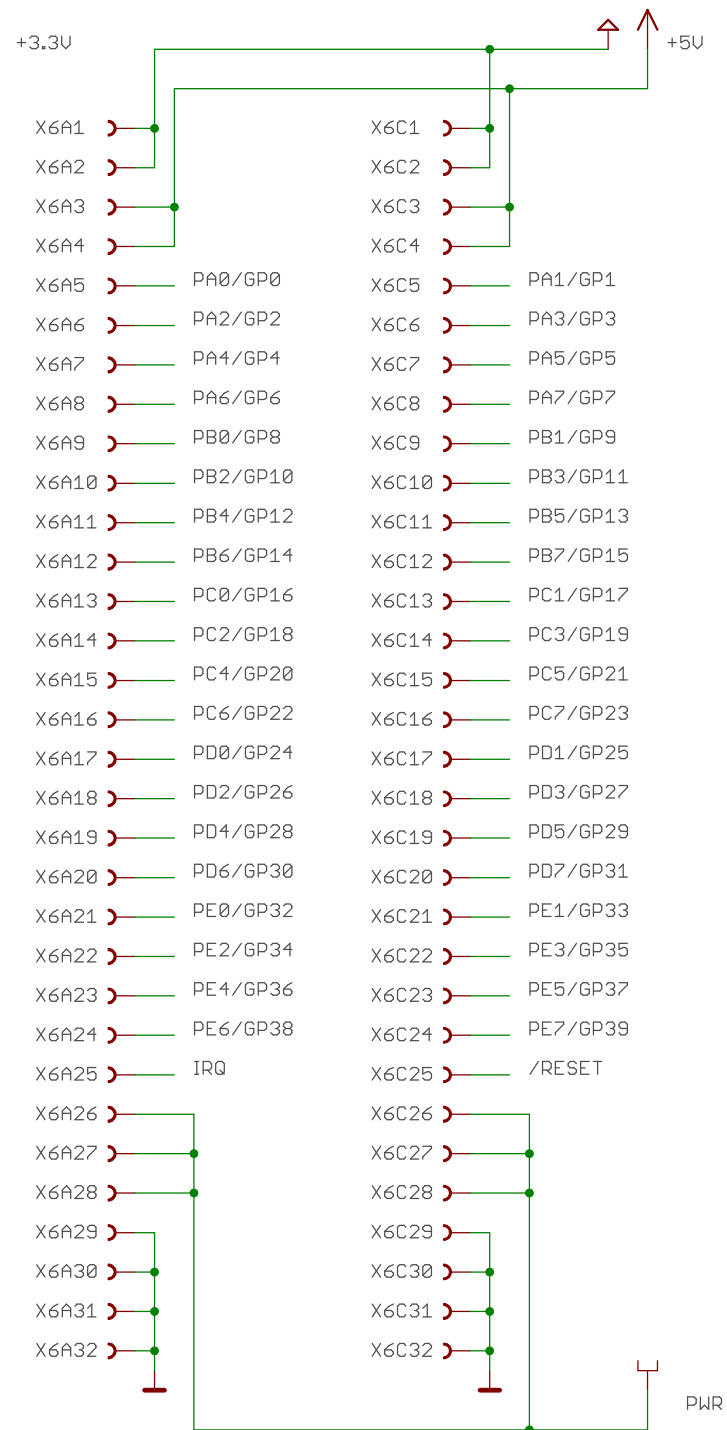
TITLE: BUS7x4E

Document Number:

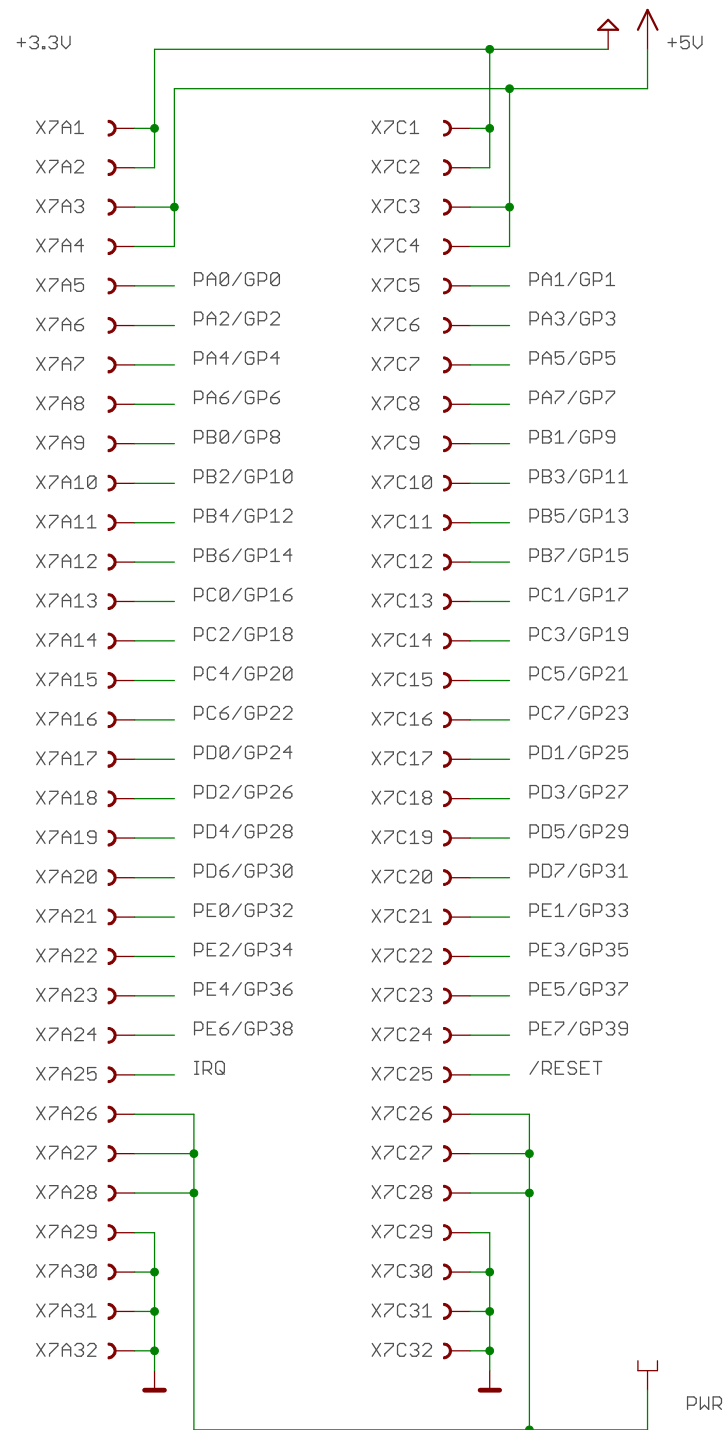
REV:

Date: 25.07.2021 14:49

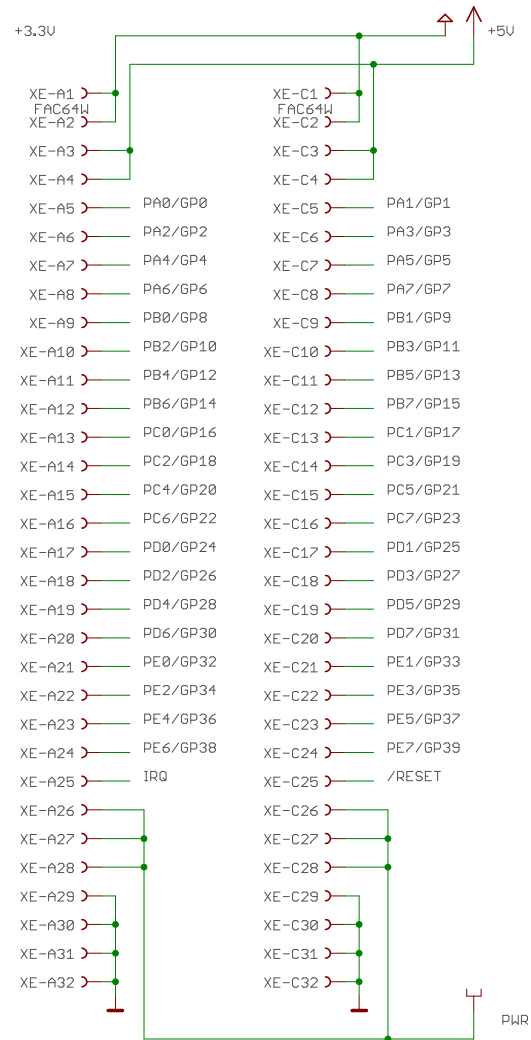
Sheet: 5/9



SYSTECH J.Schnyder GmbH		www.systech-gmbh.ch	
TITLE: BUS7x4E			
Document Number:			REV:
Date: 25.07.2021 14:49			Sheet: 6/9



SYSTECH J.Schnyder GmbH		www.systech-gmbh.ch	
TITLE: BUS7x4E			
Document Number:			REU:
Date: 25.07.2021 14:49			Sheet: 7/9



SYSTECH J.Schnyder GmbH

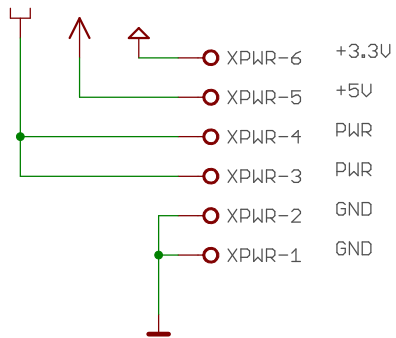
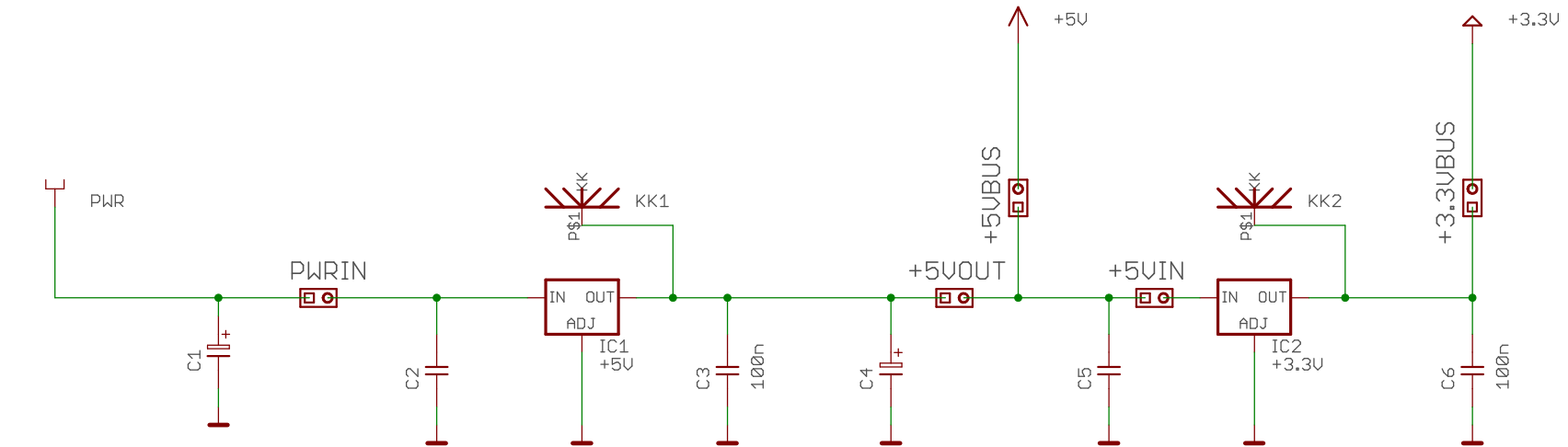
TITLE: BUS7x4E

Document Number:

REV:

Date: 25.07.2021 14:49

Sheet: 8/9



SYSTECH J.Schnyder GmbH		www.systech-gmbh.ch	
TITLE: BUS7x4E			
Document Number:			REV:
Date: 25.07.2021 14:49			Sheet: 9/9

